



# EOS Euro

**For domestic and commercial saunas.  
Wall-mounting and floor-standing model.**

Versatile sauna heater for the Finnish (dry) sauna. Robust and durable thanks to the triple-shell construction. Recommended for domestic and commercial saunas with moderate intensity of use. May be used as floor-standing model with optional feet.

## Your advantages:

- Durable, long-lasting triple shell construction.
- Robust stainless steel outer shell and die-cast iron top.
- Optimal relation between stone volume and air convection for fast heat-up times and powerful water splash performance.
- Flat, space-saving design – only 34 cm depth.
- Wall-mounting or floor-standing (with optional feet).
- TUV approved for safety and norm compliance.
- Made in Germany quality from EOS.

## Specifications:

Outer shell:	Stainless steel
Inner shell:	Zinc-plated steel (12 kW Stainless steel)
Top:	Die-cast iron, corrosion protective coating
Rear wall:	Zinc-plated steel (12 kW Stainless steel)
Rock store:	Stainless steel
Stone support grill:	Stainless steel
Terminal box:	Zinc-plated steel, corrosion-resistant
Power range:	7.5, 9.0, 10.0, 10.5 and 12.0 kW
Power supply:	400 V 3N ~ 50 Hz
Dimensions (HxWxD):	61 (74*) x 46 x 34 cm *Height with optional feet
Rock store volume:	~15 kg (stones optionally available)
Installation:	Wall-mounted or floor-standing with optional feet (item 90 7110)

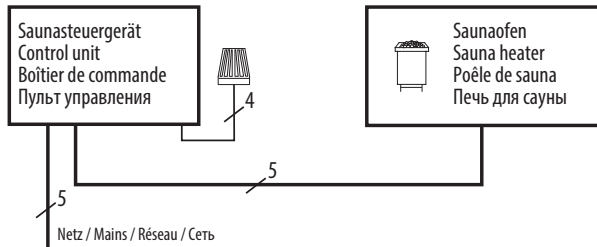


CE UK CA EAC IPx4 Made in Germany



## Connection diagram

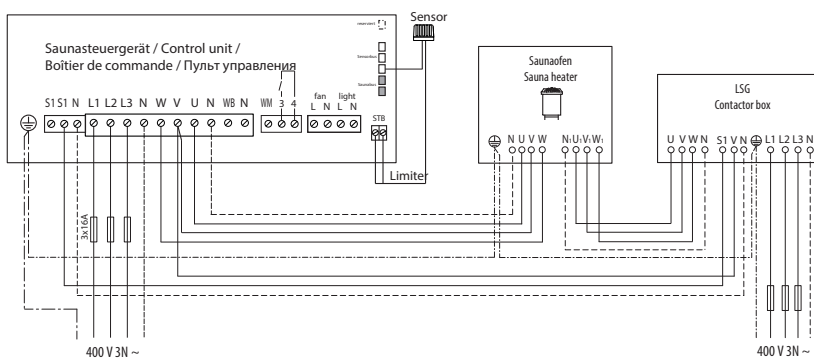
7,5 / 9,0 / 10,0 kW



400V 3N ~

10,5\* - 12,0 kW

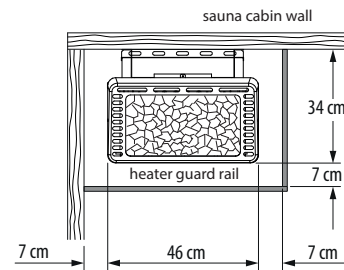
\*Modification of the wiring to the single-circuit connection possible, if a control unit with switching capacity 10,5 kW by max phase load 16A is used.



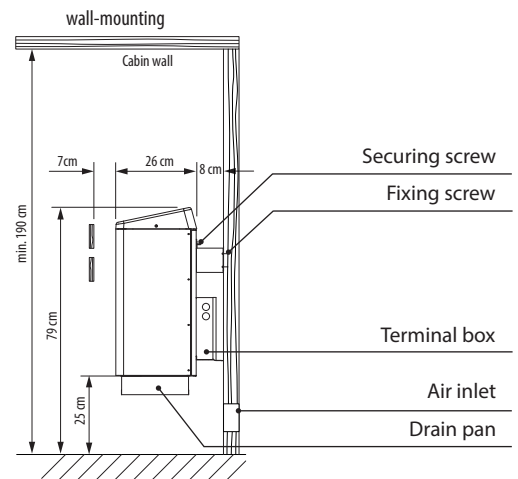
400 V 3N ~

400 V 3N ~

## Minimum clearances



## Installation example



## Technical specifications

Power output	Electrical connection	Connection mains - control unit	Connection control unit - heater	Connection mains - LSG	Connection LSG - heater	Connection control unit - LSG unit
7,5 kW	400 V 3N ~ 50 Hz	5 x 2,5 mm <sup>2</sup>	5 x 1,5 mm <sup>2</sup>	--	--	--
9,0 kW						
10,0 kW						
10,5 kW - 12,0 kW						

All cross sections of a line are minimum diameters in mm<sup>2</sup> (copper wire).

## Spare heating elements

Description	Item no.
For 7,5 kW (3 x 2500W)	2000 8084
For 9,0 kW (6 x 1500 W)	2000 8085
For 10,0 kW (6 x 1500 W)	2001 7026
For 10,5 kW (3x1500W, 3x2000W)	2000 8085/8086
For 12 kW (6 x 2000 W)	2000 8086

Item no.	Power output	Fuse protection control unit	Fuse protection LSG unit	Dimensions H/W/D, in cm	For sauna cabin size	Min. size air inlet and outlet	Weight without rocks	Power extension required	Suitable sauna control units
90 7686	7,5 kW	3 x 16 A	3 x 16 A	61 (74*) / 46 / 34	7 - 10 m <sup>3</sup>	35 x 5 cm	18,0 kg	no	EOS Econ-Serie (D1 up to 9 kW) EOS Compact-Serie EOS EmoTec-Serie EOS EmoStyle-Serie EOS EmoTouch-Serie
90 7687	9,0 kW				9 - 14 m <sup>3</sup>	35 x 6 cm	19,5 kg		
94 7886	10,0 kW				11- 15 m <sup>3</sup>				
94 5185	10,5 kW				14 - 18 m <sup>3</sup>	35 x 7 cm	LSG 10		
90 8076	12,0 kW								

\*) Height incl. optional feet