



EOS Gracil

Sauna heater for private sauna cabins. Floor-standing model.

Floor-standing sauna heater for Finnish sauna. Very space-saving construction with only 25 cm depth. Gracil stands out through its sleek, straight-lined design and is a great match for modern upper-class saunas. For residential use.

Your advantages:

- Very space-saving – only 25 cm depth
- Flat rear side with recessed terminal box.
- Optional rear side cover panel in anthracite finish - great for installation in front of glass rail.
- Optional wooden guard rail.
- Full size 20 kg rock store despite very shallow construction.
- Scratch resistant anthracite pearl effect powder coating.
- Also available with matt black finish.
- Made in Germany quality from EOS

Specifications:

Outer shell:	zinc-plated steel, with anthracite finish or matt black finish
Inner shell:	hot dip aluminium plated steel
Cover:	brushed stainless steel
Rock store and feet:	stainless steel
Terminal box:	recessed inside main housing
Power output:	6,0 kW, 7,5 kW and 9,0 kW
Connection:	400 V 3N ~ 50 Hz
Dimensions: (H x W x D) :	760 x 505 x 250 mm
Rock store volume:	approx. 20 kg (Sauna stones optionally available)
Installation:	floor-standing model

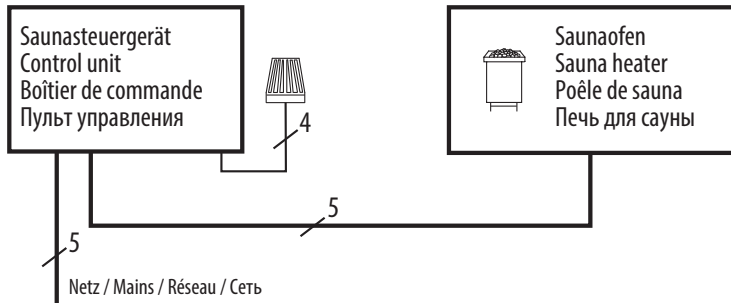


Heater guard rail optionally available.

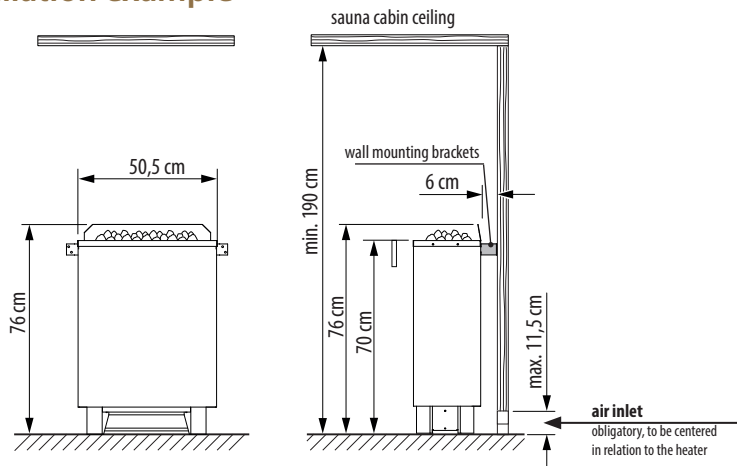


Rear side cover panel in anthracite finish optionally available

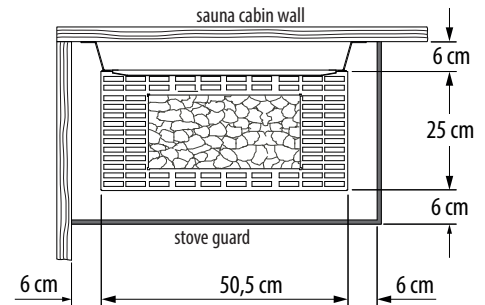
Connection overview



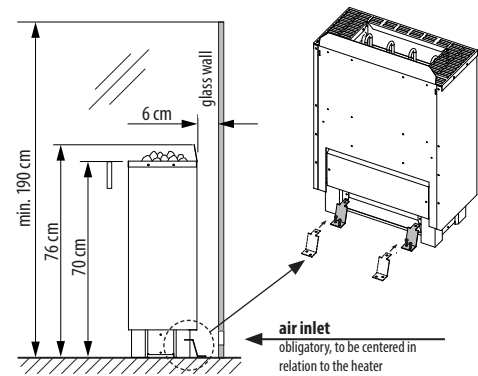
Installation example



Minimum clearances



Guard rail to be provided by the cabin manufacturer if not ordered with the heater. Heater should be secured to the wall.



By free-standing installation the heater must be secured to the floor.

Suitable sauna control units

Model
EOS Econ D series
EOS Compact D series
EOS EmoTec D series / EmoStyle D (Hi) series
EOS EmoTouch 3 series

Spare parts

Description	Item no.
for 4,5 kW (1500 W)	2000 1852
for 6,0 kW (1500 W)	2000 1852
for 7,5 kW (1500 W)	2000 1852
for 9 kW (1500 W)	2000 1852

Item no.	Power output	Electrical connection	Fuse protection (control unit)	Dimensions H/W/D, in cm	For sauna cabin size	Min. size air inlet and outlet	Weight without rocks	Connection mains - control unit	Connection control unit - heater	Power extension required
94 7904 / 94 7406*	4,5 kW	400 V 3N ~ 50 Hz	3 x 16 A	76 / 50,5 / 25	4 - 6 m ³	35 x 4 cm	20,0 kg	5 x 2,5 mm ²	5 x 1,5 mm ²	no
94 6755 / 94 8196*	6,0 kW				6 - 8 m ³	35 x 5 cm	20,5 kg			
94 6756 / 94 7243*	7,5 kW				7 - 10 m ³	35 x 6 cm	21,0 kg			
94 6757 / 94 7244*	9,0 kW				9 - 14 m ³	35 x 6 cm	21,5 kg			

*matt black finish

All cross sections of a line are minimum diameters in mm² (copper wire), make sure to observe 18 cm ground clearance.